

## Fixed Voltage Regulators- T0126 Plastic Package

### REFERENCE TABLE

Code	Stock No.
TDA1405	34792H
TDA1412	34793F
TDA1415	34794D

### DESCRIPTION

These monolithic voltage regulators feature high temperature stability, internal overload and short circuit protection, low out-put impedance and excellent transient response. They are intended for use as voltage supply for consumer applications.

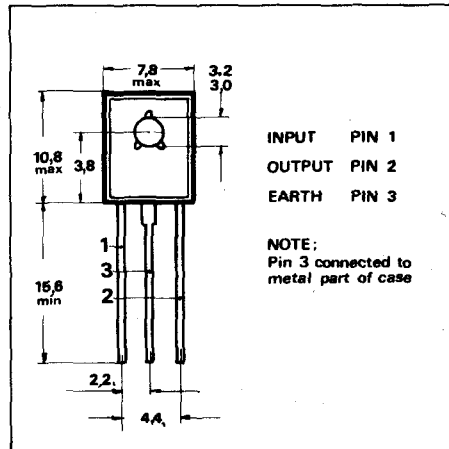
### ABSOLUTE MAXIMUM RATINGS

Input voltage (TDA1405)	20V
(TDA1412)	27V
(TDA1415)	27V
Power dissipation (free air, $T_A=25^\circ\text{C}$ )	1.25W
Power dissipation (Infinite heat sink, $T_c=25^\circ\text{C}$ )	14W
Storage temperature	$-55^\circ\text{C}$ to $125^\circ\text{C}$
Operating temperature	0 to $70^\circ\text{C}$

### FEATURES

Tight tolerance for output voltage load regulation.  
Less than 1% ripple rejection.  
56 dB typical low output impedance.  
Excellent transient response.  
High temperature stability.

### DIMENSIONS



INPUT PIN 1  
OUTPUT PIN 2  
EARTH PIN 3

NOTE:  
Pin 3 connected to metal part of case

7

### TYPICAL ELECTRICAL CHARACTERISTICS

Parameter	TDA1405	TDA1412	TDA1415	Unit
Output voltage	5	12	15	V
Load regulation	0.3	0.3	0.3	% $V_{OUT}$
Regulated output current	600*	500*	450*	mA
Output resistance	15	20	60	m $\Omega$
Supply voltage rejection	60	60	56	dB
Output noise voltage	70	150	180	$\mu\text{V}$
Quiescent drain current	9	10	10	mA
Temperature coefficient	0.5	1.2	1.5	mV/ $^\circ\text{C}$
Short circuit current	200	100	85	mA

\*minimum value

PLEASE QUOTE STOCK NO. AND MANUFACTURER'S CODE WHEN ORDERING